

CONSUMABLES SUITABLE FOR HYSPEED® HT4400® SYSTEM NOW YOU CAN CHOOSE THE OPTIMAL SOLUTION FOR YOUR OPERATION

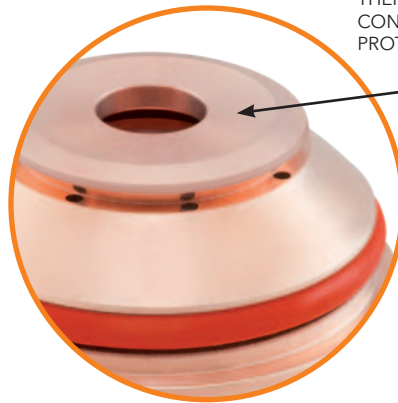
OUR COMPLETE OFFERING OF CONSUMABLES AND SPARE PARTS WHICH ARE SUITABLE FOR HYSPEED® HT4400 INCLUDES:

IMPROVED NOZZLE DESIGN PROTECTS AGAINST CLOGGED HOLES FROM MOLTEN METAL SPRAY.

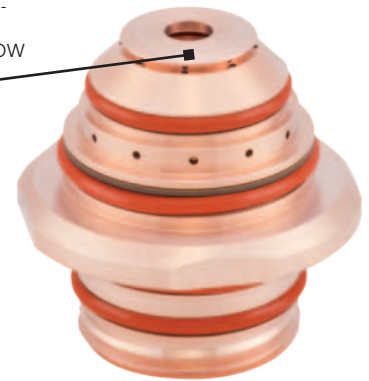
IMPROVED NOZZLE WITH DEFLECTOR WHICH DEFLECTS MOLTEN METAL

Improvement is the unique holes on the surface of the nozzle which are much less predisposed to be plugged comparing to the original nozzle. Our design improvements result in:

- Decrease of your operation costs due to longer lifetime of the nozzle typically while cutting material thickness 15mm and more.

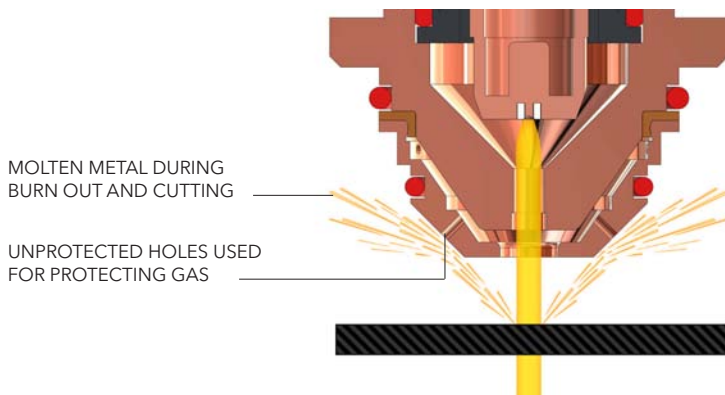


THERMACUT NOZZLE -
CONSTRUCTION
PROTECTING GAS FLOW



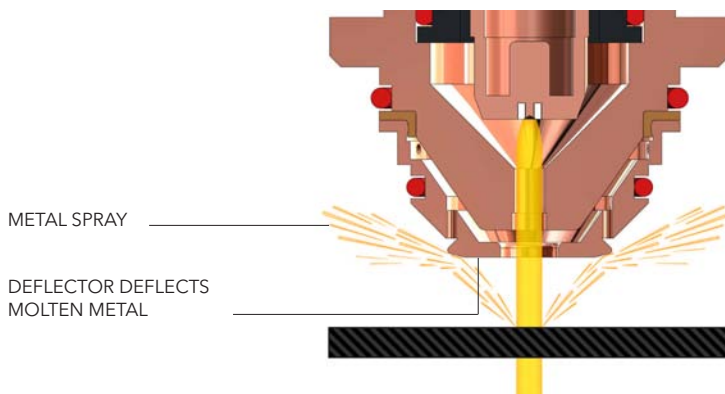
NOZZLE REF. NO. 120934 OEM

OEM NOZZLE AFTER 6 HOUR CUTTING

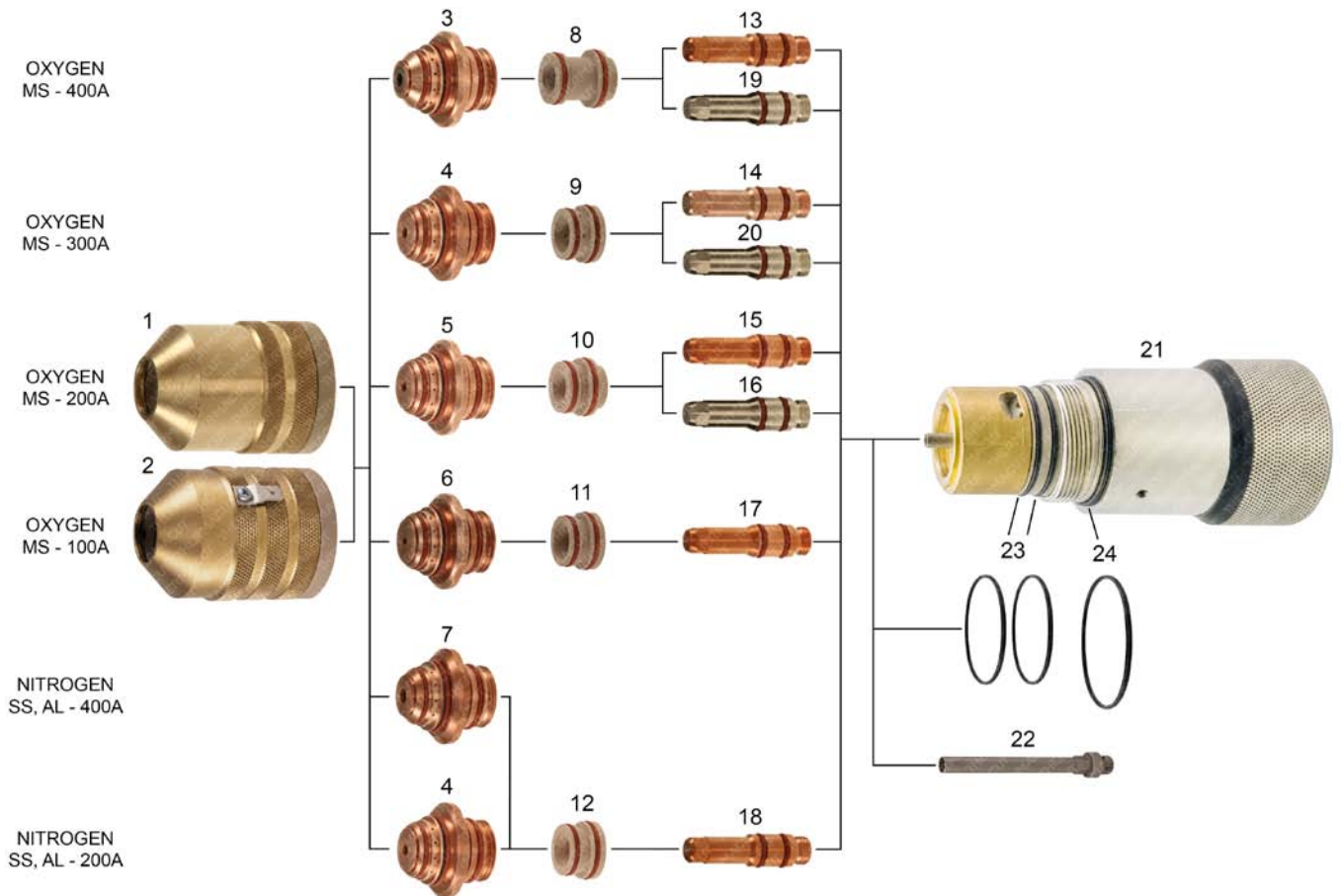


NOZZLE REF. NO. 120934-UR

THERMACUT NOZZLE AFTER 6 HOUR CUTTING



CONSUMABLES SUITABLE FOR HYSPEED® HT4400® SYSTEM



Item	Part No.	Ref. No.	Description	Std. Pkg	Item	Part No.	Ref. No.	Description	Std. Pkg.
1.	T-10110	120786	Retaining Cap	1	*13.	T-10182*	120810-UR	Electrode-HFROD 400A O ₂	5
2.	T-10111	120907	Retaining Cap (With IHS Tab)	1	NS	T-10857	120810	Electrode-HFTUBE 400A O ₂ (i)	5
3.	T-8716	120934-UR	Nozzle 400A O ₂ CW	1	*14.	T-10181*	120802-UR	Electrode-HFROD 300A O ₂	5
*	T-9624*	120935-UR	Nozzle 400A O ₂ CCW	1	NS	T-10942	120802	Electrode-HFTUBE 300A O ₂ (i)	5
4.	T-8714	120794-UR	Nozzle 300A O ₂ /200A N ₂ CW	1	15.	T-8945	120793	Electrode 200A O ₂	5
5.	T-8713	120787-UR	Nozzle 200A O ₂ CW	1	*16.	T-4915*	120793-AG	Electrode, Silver-EX® 200A O ₂	5
6.	T-8712	120777-UR	Nozzle 100A O ₂ CW	1	17.	T-8944	120785	Electrode 100A O ₂	5
7.	T-8715	120856-UR	Nozzle 400A N ₂ CW	1	18.	T-10630	120855 OEM	Electrode 200/400A N ₂	5
8.	T-10112	120939	Swirl Ring 400A O ₂ CW	1	19.	T-4912	120810-AG	Electrode, Silver-EX® 400A O ₂	5
	T-10866	120940	Swirl Ring 400A O ₂ CCW	1	20.	T-4911	120802-AG	Electrode, Silver-EX® 300A O ₂	5
9.	T-10113	120913	Swirl Ring 300A O ₂ CW	1	21.	T-11143	120651	HT4400 torch main body (ii)	1
10.	T-10114	120791	Swirl Ring 200A O ₂ CW	1	22.	T-11142	120025	Cooling Tube	1
11.	T-10115	120783	Swirl Ring 100A O ₂ CW	1	23.	N-10096	1-028B	2x O-Ring	
12.	T-10116	120853	Swirl Ring 400A N ₂ CW	1	24.	N-10098	1-030B	O-Ring	

* FULLY INTERCHANGEABLE WITH ORIGINAL PARTS, BUT DIFFERS FROM ORIGINAL DESIGN
 -AG HEAVY DUTY ELECTRODE, OFFERS BETTER LIFETIME